



Hopper and Drive Components

Striker™ Hopper Spreader
with Electric Motors

#99030-1, 99031-1, 99035-1, 99039-1

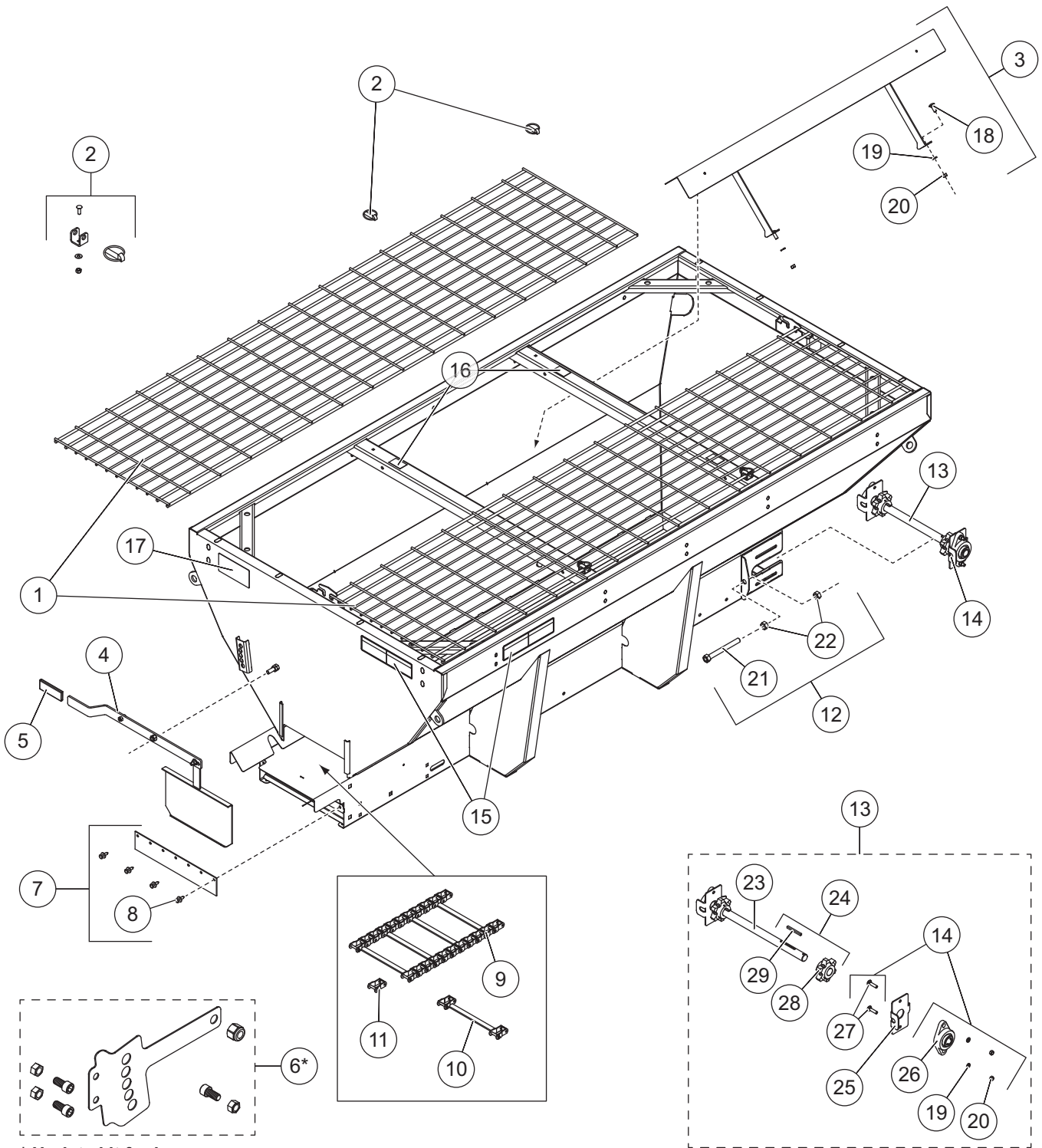
Parts List



This Parts List is for WESTERN® Striker hopper spreaders with serial numbers beginning with 170711 and higher.

Striker™ HOPPER SPREADER

HOPPER COMPONENTS



* Update kit for hoppers without a feed gate lock bracket.

Striker™ HOPPER SPREADER

Hopper Components							
Item	Part	Qty	Description	Item	Part	Qty	Description
1	99515	2	Top Screen – 7'	9	68474	1	Pintle Chain (123 links) 9' Hopper
	99516	2	Top Screen – 8'		94898	1	Pintle Chain (108 links) 7' & 8' Hoppers
	99517	2	Top Screen – 9' Narrow (3.0 yd ³)	10	68492	1	Conveyor Repair Bar w/Pins & Cotters
	99518	2	Top Screen – 9' Wide (4.5 yd ³)	11	68475	1	Conveyor Repair Link w/Pins & Cotters
2	99578	1	Screen Attachment Kit (set of 4)	12	99073	2	Tensioner Bolt Kit
3	99482	1	Inverted V Kit – 7' & 8' Hoppers	13	99480	1	Idler Shaft Assembly Kit
	99119	1	Inverted V Kit – 9' Hopper	14	94953	2	Spreader Bearing Kit
4	99083	1	Feed Gate Assembly	15	68584	2	Label – Warning/Caution, Spreaders
5	99523	1	Rubber Grip, Feed Gate Handle	16	67272	4	Label – Caution, Do Not Lift
6*	90952	1	Feed Gate Update Kit	17	11100	1	Label – Warning, Rear Camera
7	78266	1	Wiper Replacement Kit	ns	68790	1	Ratchet Straps Kit (pkg of 4)
8	99079	1	Rivet Kit, Steel Hopper Wiper (pkg of 4)				
Item 3 99482 (7' & 8' hoppers) / 99119 (9' hoppers) Inverted V Kits							
18		4†	3/8-16 x 1 Carriage Bolt SS	20		8‡	3/8-16 Hex Nut SS
19		8‡	3/8 Lock Washer SS				
Item 12 99073 Tensioner Bolt Kit							
21		1	5/8-11 x 6 Take-Up Bolt	22		2	5/8-11 Hex Nut
Item 13 99480 Idler Shaft Assembly Kit							
14	94953	2	Spreader Bearing Kit	24	99479	2	6-Tooth Sprocket
23	94351	1	Idler Shaft	25	99765	2	Bearing Alignment Plate
Item 14 94953 Spreader Bearing Kit							
19		2	3/8 Lock Washer SS	26	94536	1	Bearing 1.125 ID 2-Bolt Flange
20		2	3/8-16 Hex Nut SS	27		2	3/8-16 x 1-1/2 Carriage Bolt SS
Item 24 99479 6-Tooth Sprocket							
28		1	Drive Sprocket 6T	29	95076	1	1/4 x 2-3/4 Machine Key
		SS = Stainless Steel				ns = not shown	
						G = Grade	

* Update kit required when installing replacement feed gate on hoppers without an existing lock bracket.

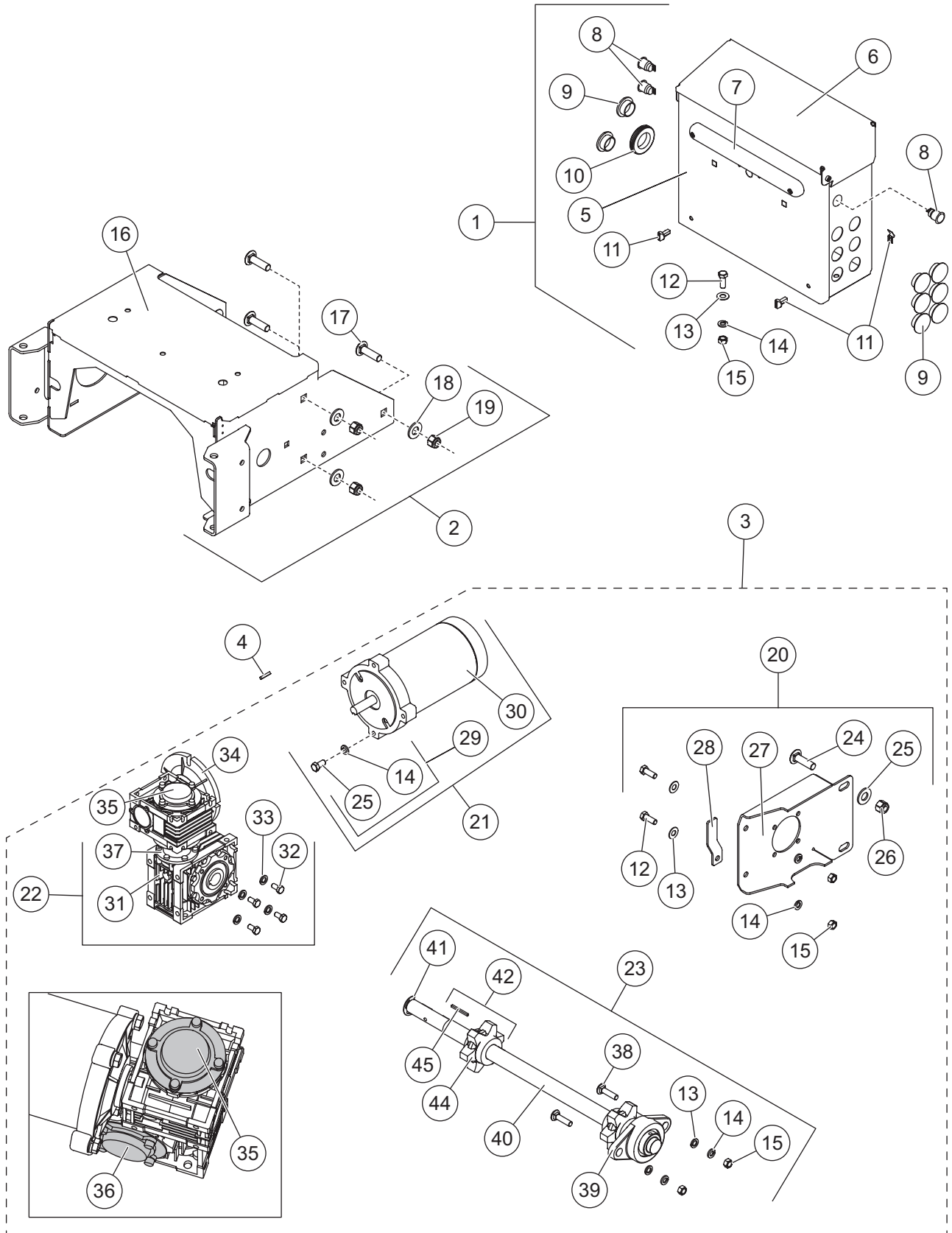
† Qty 6 for 9' hopper.

‡ Qty 10 for 9' hopper.

Labels – Striker & WESTERN® Logos							
Item	Part	Qty	Description	Application			
				7' (1.5 yd ³)	8' (2.0 yd ³)	9' (3.0 yd ³)	9' (4.5 yd ³)
ns	96997	2	Side Logo – Striker, Small	■	■		■
ns	96999	2	Side Logo – Striker, Large			■	
ns	96996	1	Rear Logo – WESTERN, Small	■	■		
ns	96998	1	Rear Logo – WESTERN, Large			■	■
ns = not shown							

Striker™ HOPPER SPREADER

CONVEYOR DRIVE COMPONENTS

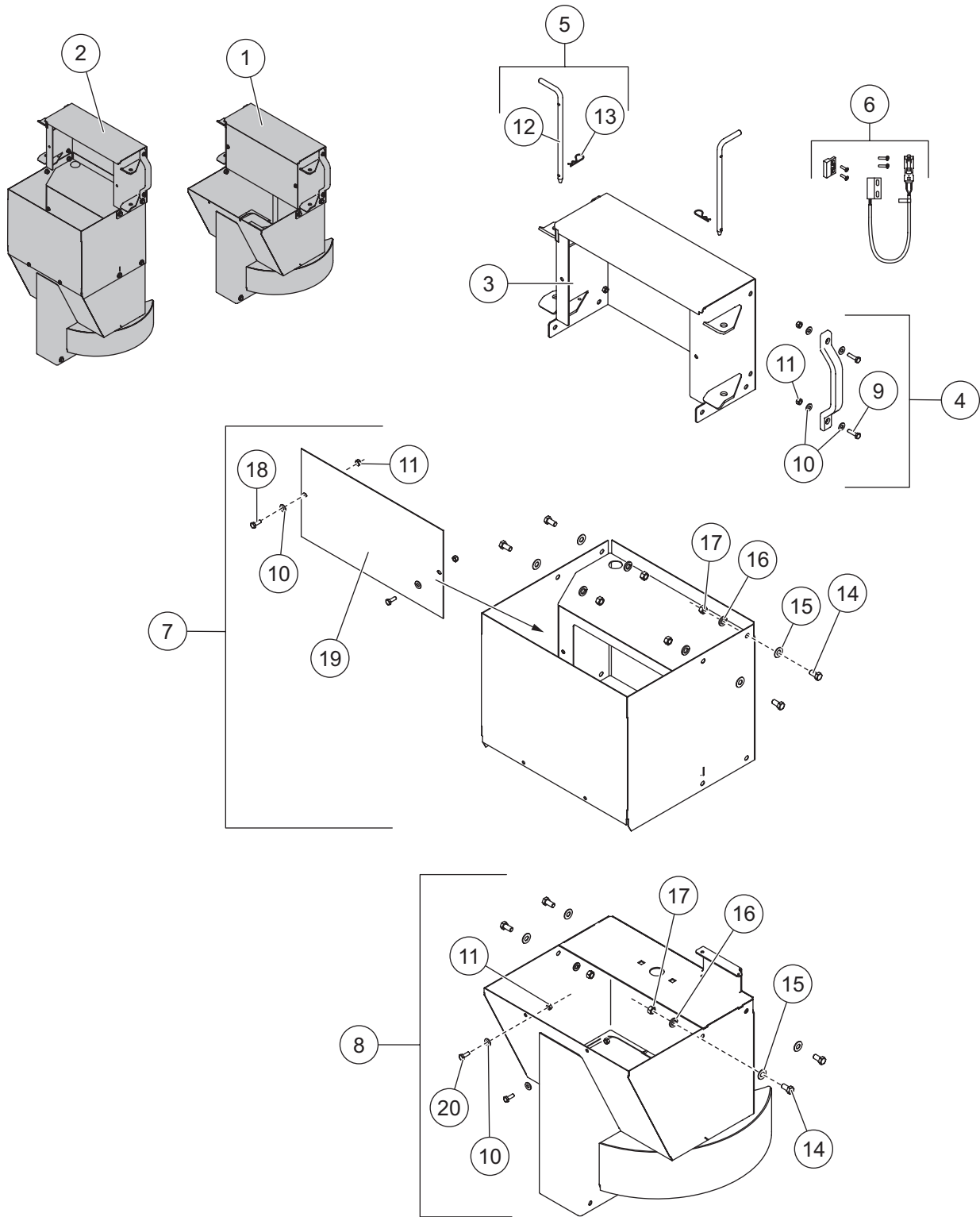


Striker™ HOPPER SPREADER

Conveyor Drive Components							
Item	Part	Qty	Description	Item	Part	Qty	Description
1	99077	1	Electrical Box Assembly	4	65195	1	3/16 X 1 Machine Key
2	99092	1	Electric Power Group Mount Kit	ns	99744	1	Label Kit, SH Electrical Control Box
3	99091	1	Electric Conveyor Drive Kit				
Item 1 99077 Electrical Box Assembly							
5	99696	1	Electrical Box	11	99570	1	Electrical Box Latch Kit (pkg of 2)
6	99247	1	Enclosure Cover	12		3	3/8-16 x 1 Hex Cap Screw SS
7	99080	1	CHMSL Kit	13		3	3/8 Flat Washer SS
8	99254	3	Switch, Push Button	14		3	3/8 Lock Washer SS
9	99195	8	Break-Thru Plug	15		3	3/8-16 Hex Nut SS
10		1	0.25 Grommet				
Item 2 99092 Electric Power Group Mount Kit							
16	99569	1	Electric Power Group Mount	18		6	1/2 Flat Washer SS
17		6	1/2-13 x 1-3/4 Carriage Bolt SS	19		6	1/2-13 Locknut SS
Item 3 99091 Electric Conveyor Drive Kit							
20	99089	1	Gear Box Bracket Kit	22	99087	1	Gear Box Kit
21	99085	1	Conveyor Motor Kit	23	99094	1	Drive Shaft Kit, Electric
Item 20 99089 Gear Box Bracket Kit							
12		2	3/8-16 x 1 Hex Cap Screw SS	25		2	1/2 Flat Washer SS
13		2	3/8 Flat Washer SS	26		2	1/2-13 Locknut SS
14		2	3/8 Lock Washer SS	27		1	Gear Box Bracket
15		2	3/8-16 Hex Nut SS	28		1	Cable Boot Stand
24		2	1/2-13 x 1-3/4 Carriage Bolt SS	ns	99775	1	Cable Boot – 8-Pin
Item 21 99085 Conveyor Motor Kit							
29	D6825-1	1	Motor 1/2 hp NEMA 56C	30	99086	1	Bolt Bag, Conveyor Motor
Item 22 99087 Gear Box Kit							
31	99067	1	Gear Box 10 x 10 2X Worm Gear	35	86792	1	Gear Box Cover Kit, Primary
32		4	M8 x 1.25 x 16 Hex Cap Screw SS	36	86799	1	Gear Box Cover Kit, Secondary
33		4	M8 Lock Washer SS	37	30017	1	Connector Flange
34	30456	1	Motor Flange				
Item 23 99094 Drive Shaft Kit, Electric							
14		2	3/8 Lock Washer SS	39	94536	1	Bearing 1.125 ID 2-Bolt Flange
15		2	3/8-16 Hex Nut SS	40		1	Drive Shaft Assembly
38		2	3/8-16 x 1-1/2 Carriage Bolt SS	41	330	1	1" Retaining Ring
13	91123	2	3/8 Flat Washer SS	42	99479	2	6-Tooth Sprocket
Item 30 99086 Bolt Bag, Conveyor Motor							
14		4	3/8 Lock Washer SS	43		4	3/8-16 x 3/4 Hex Cap Screw SS
Item 42 99479 6-Tooth Sprocket							
44		1	Drive Sprocket 6T	45	95076	1	1/4 x 2-3/4 Machine Key
			SS = Stainless Steel				ns = not shown
							M = Metric

Striker™ HOPPER SPREADER

CHUTE ASSEMBLY COMPONENTS



Striker™ HOPPER SPREADER

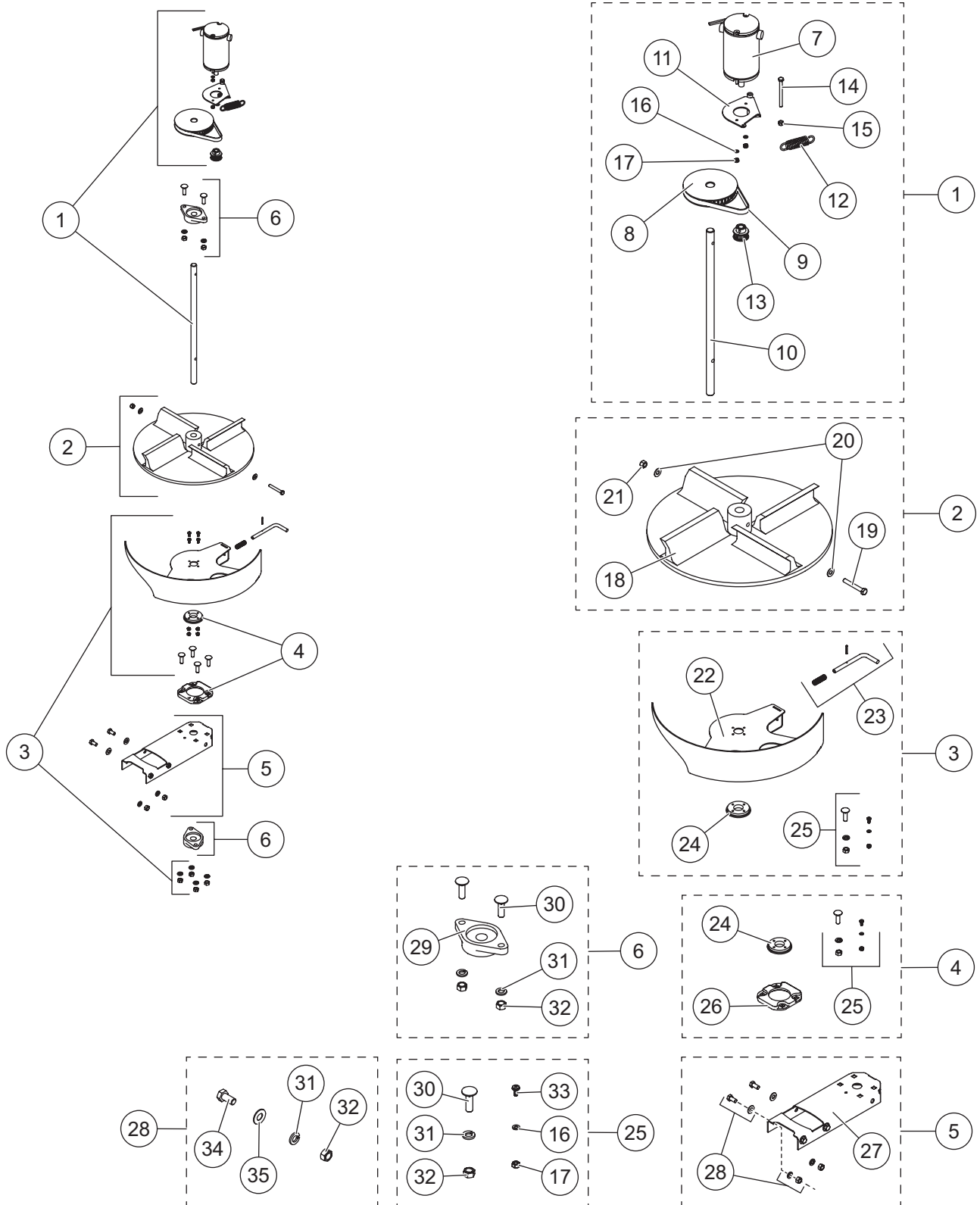
Chute Assembly							
Item	Part	Qty	Description	Item	Part	Qty	Description
1	99132*	1	Short Chute Assembly – Complete	5	99613	1	Chute Attachment Kit
2	99096*	1	Long Chute Assembly – Complete	6	99568	1	Magnetic Chute Interlock Kit
3	96386	1	Chute Upper Section	7	99139†	1	Chute Middle Section Kit
4	99098	2	Handle Kit	8	99137	1	Chute Lower Section Kit
Item 4				99098 Handle Kit			
9		2	1/4-20 x 1-1/4 Hex Cap Screw SS	11		2	1/4-20 Locknut GB SS
10		4	1/4 Flat Washer SS				
Item 5				99613 Chute Attachment Kit			
12		2	3/8 x 8-1/4 Chute Pin	13		2	3/32 x 2-1/4 Cotter Pin
Item 7				99139† Chute Middle Section Kit			
–		1	Chute Extension, Electric	16		4	3/8 Lock Washer SS
10		2	1/4 Flat Washer SS	17		4	3/8-16 Hex Nut SS
11		2	1/4-20 Locknut GB SS	18		2	1/4-20 x 3/4 Hex Cap Screw
14		4	3/8-16 x 3/4 Hex Cap Screw SS	19	99207	1	Chute Motor Cover
15		4	3/8 Flat Washer SS				
Item 8				99137 Chute Lower Section Kit			
–		1	Lower Chute Body	15		4	3/8 Flat Washer SS
10		2	1/4 Flat Washer SS	16		4	3/8 Lock Washer SS
11		2	1/4-20 Locknut GB SS	17		4	3/8-16 Hex Nut SS
14		4	3/8-16 x 3/4 Hex Cap Screw SS	20		2	1/4-20 x 3/4 Hex Cap Screw SS
SS = Stainless Steel				G = Grade			

* Includes spinner and shutter assemblies shown on following page.

† Not used in the 99132 short chute assembly.

Striker™ HOPPER SPREADER

SPINNER DRIVE & SHUTTER ASSEMBLIES



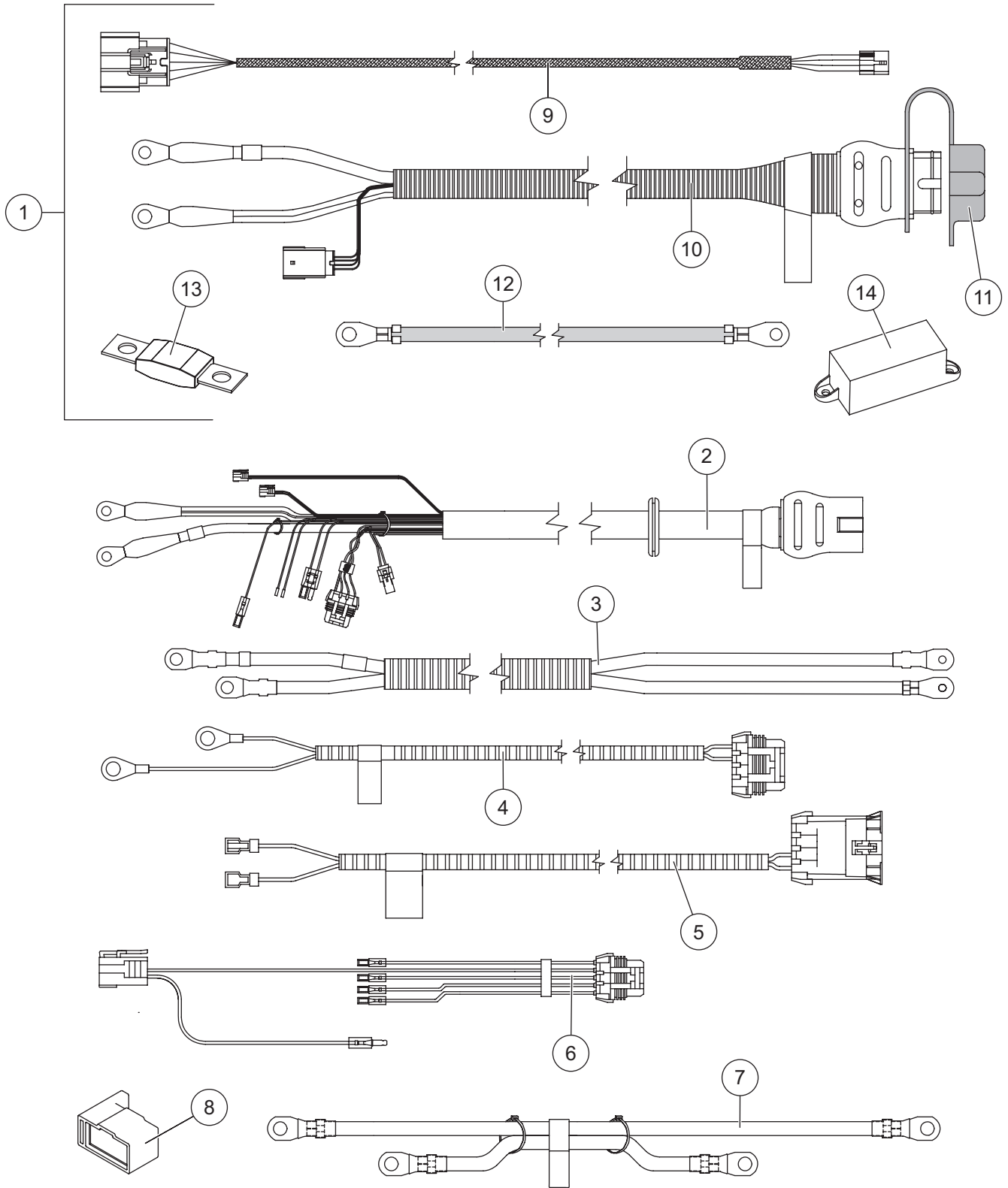
Striker™ HOPPER SPREADER

Spinner Drive & Shutter Assemblies							
Item	Part	Qty	Description	Item	Part	Qty	Description
1	96506	1	Chute Drive Service Kit	4	96504	1	Chute Shutter Bearing Kit
2	99485	1	Poly Spinner Kit	5	96392	1	Shutter Bearing Support Kit
3	99135	1	Shutter Replacement Kit	6	96501	2	Bearing Kit
Item 1				96506 Chute Drive Service Kit			
7	93200*	1	Motor 12V 1/3-hp	13	76795	1	10-Tooth Pulley, Drive Gear
8	76796	1	40-Tooth Cogged Belt Pulley 3/4 Bore	ns	99614	1	Bolt Bag – Chute Service Kit
9	M1355	1	Spinner Drive Belt	14		1	1/4-20 x 3 Hex Cap Screw SS
10	99228	1	Spinner Shaft	15		1	1/4-20 Locknut GB SS
11	80028	1	Spinner Motor Tensioner Plate	16		2	#10 Flat Washer SS
12	99776	1	Spinner Motor Spring SS	17		2	#10-32 Locknut GB SS
Item 2				99485 Poly Spinner Kit			
18		1	Spinner, Black Poly – CW Rotation	20		2	5/16 Flat Washer SS
19		1	5/16-18 x 2-1/4 Hex Cap Screw SS	21		1	5/16-18 Locknut GB SS
Item 3				99135 Shutter Replacement Kit			
22		1	Chute Shutter	24		1	Chute Shutter Bearing – Inner
23	96505	1	Shutter Lock Pin Kit	25	99615	1	Bolt Bag – Shutter
Item 4				96504 Chute Shutter Bearing Kit			
24		1	Chute Shutter Bearing – Inner	26		1	Chute Shutter Bearing – Outer
25	99615	1	Bolt Bag – Shutter				
Item 5				96392 Shutter Bearing Support Kit			
27		1	Chute Lower Bearing Support	28	96529	1	Bolt Bag – Shutter Bearing Support
Item 6				96501 Bearing Kit			
29	96167	1	Pillow Block Bearing 3/4 Bore	31		2	3/8 Lock Washer SS
30		2	3/8-16 x 1-1/4 Carriage Bolt	32		2	3/8-16 Hex Nut SS
Item 25				99615 Bolt Bag – Shutter			
16		4	#10 Flat Washer SS	31		4	3/8 Lock Washer SS
17		4	#10-32 Locknut GB SS	32		4	3/8-16 Hex Nut SS
30		4	3/8-16 x 1-1/4 Carriage Bolt	33		4	#10-32 x 1/2 #2 Pan Head Screw SS
Item 28				96529 Bolt Bag – Shutter Bearing Support			
31		4	3/8 Lock Washer SS	34		4	3/8-16 x 3/4 Hex Cap Screw SS
32		4	3/8-16 Hex Nut SS	35		4	3/8 Flat Washer SS
			SS = Stainless Steel				ns = not shown
							G = Grade

* Requires 80028 Spinner Motor Tensioner Plate if purchasing 93200 to replace 93100.

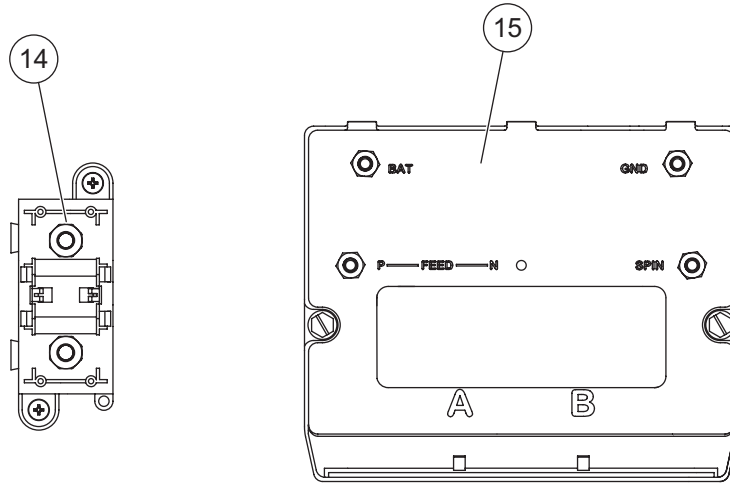
Striker™ HOPPER SPREADER

ELECTRICAL COMPONENTS



Striker™ HOPPER SPREADER

ELECTRICAL BOX COMPONENTS

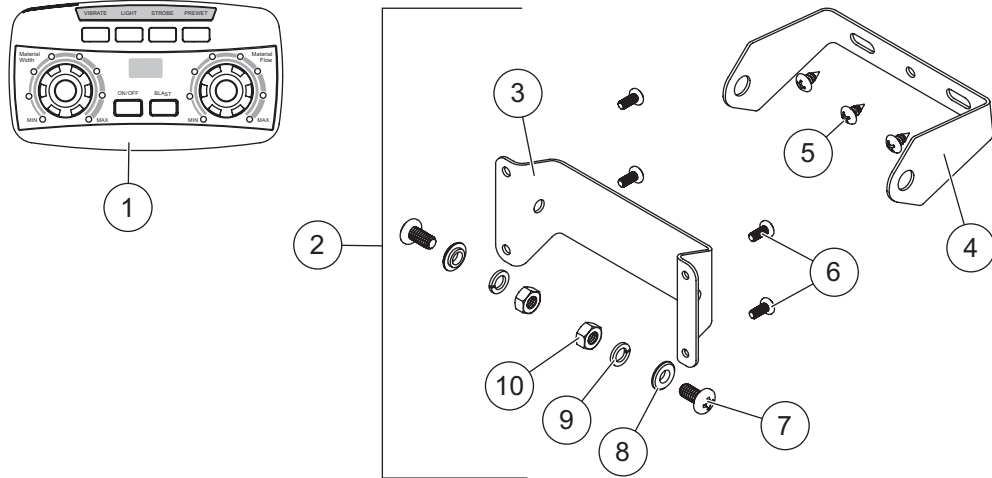


Cables & Harnessing, Electrical Components							
Item	Part	Qty	Description	Item	Part	Qty	Description
1	78402	1	Vehicle-Side Harness Kit	6	69939	1	10-Pin Connector w/Switch Connector
2	69906	1	Hopper Harness Assembly	7	78385	1	Cable – Module to Isolated Stud Block
3	78987	1	Conveyor Motor Cable	8	69916	1	8-Pin Cable Boot
4	78361	1	Cable Assembly 20" – Spinner Motor	ns	99772	1	Motor Terminal Cover Kit (pkg of 2)
5	78359	1	Cable Assy, Spinner Motor – Chute				
Item 1 78402 Vehicle-Side Harness Kit							
9	69902	1	Vehicle Control Harness	13	95836	1	Fuse, 100A
10	76057	1	Vehicle Harness Assembly*	14	95837	1	Fuse Holder/Isolated Stud Block
11	99759	1	Plug Cover	ns		6	HD Cable Tie, 25.25"
12	22511	1	22" Battery Cable – Red	ns		10	Cable Tie, 5.35"
Electrical Box Components							
14	95837	1	Fuse Holder/Isolated Stud Block	15	52385	1	Spreader Module 4-Post
ns = not shown							

* Includes the plug cover (item 11).

Striker™ HOPPER SPREADER

CAB CONTROL



99534 Cab Control Kit							
Item	Part	Qty	Description	Item	Part	Qty	Description
1	99774	1	Cab Control 2-Knob	2	52345	1	Cab Control Bracket Kit
Item 2				52345 Cab Control Bracket Kit			
3		1	Control Bracket, Inner	7		2	1/4-20 x 1/2 Pan Head Machine Screw SS – Black Oxide
4		1	Control Bracket, Outer	8		2	1/4 Shoulder Washer – Black Oxide
5		3	#10 x 3/8 Tapping Screw SS	9		2	1/4 Lock Washer SS
6		4	#8-32 x 3/8 Phillips Pan Head Machine Screw	10		2	1/4-20 Hex Nut G5 – Black Oxide
G = Grade				SS = Stainless Steel			

Striker™ HOPPER SPREADER

ACCESSORIES

Accessory Kits			
Part	Description	Part	Description
99139	Chute Middle Section/Extension Kit	78402*	Vehicle-Side Harness Kit
99686	License Plate Light Kit	99488	Hopper Side Extension Kit
99505-1	Primary Work Light Kit	92532	Truck Mount Kit, 2 Bars – 7' & 8' Hoppers
99732-1	Secondary Work Light Kit	92533	Truck Mount Kit, 3 Bars – 9' Hopper
99494	Strobe Light Kit	99690	Tie-Down Kit SH, Chain
76668	Vibrator Kit		

* Contains all vehicle-side electrical components except control.

Liquid Kits			
Part	Description	Part	Description
76400	Standard Pump Kit, ON-OFF System	76425	50-Gallon Tank Kit (2 x 25 gal)
76420	Deluxe Pump Kit, Full-Feature System	76450	100-Gallon Tank Kit (2 x 50 gal)
76405	Pre-Wet Pump Switch Kit		

Striker™ HOPPER SPREADER



Western Products
PO Box 245038
Milwaukee, WI 53224-9538
www.westernplows.com

 A DIVISION OF DOUGLAS DYNAMICS, LLC

Copyright © 2022 Douglas Dynamics, LLC. All rights reserved. This material may not be reproduced or copied, in whole or in part, in any printed, mechanical, electronic, film, or other distribution and storage media, without the written consent of Western Products. Authorization to photocopy items for internal or personal use by Western Products outlets or spreader owner is granted.

Western Products reserves the right under its product improvement policy to change construction or design details and furnish equipment when so altered without reference to illustrations or specifications used. Western Products or the vehicle manufacturer may require or recommend optional equipment for spreaders. Do not exceed vehicle ratings with a spreader. Western Products offers a limited warranty for all spreaders and accessories. See separately printed page for this important information. The following are registered (®) or unregistered (™) trademarks of Douglas Dynamics, LLC: Striker™, WESTERN®.

Printed in U.S.A.